

Infusion Exam Chair

628-29M



Furniture that makes a difference.

Product Description

Motorized recliner with vertical lift to exam height

628-29M

Style: Suspend

Model: 628-29M

Mechanism: Motorized recliner with vertical lift to exam height

Operation: Motorized mechanism that can be reclined to any position, including flat and has a vertical lift feature.

Motorized recliner with reverse recline & vertical lift to exam height

628-29M-T

Style: Suspend

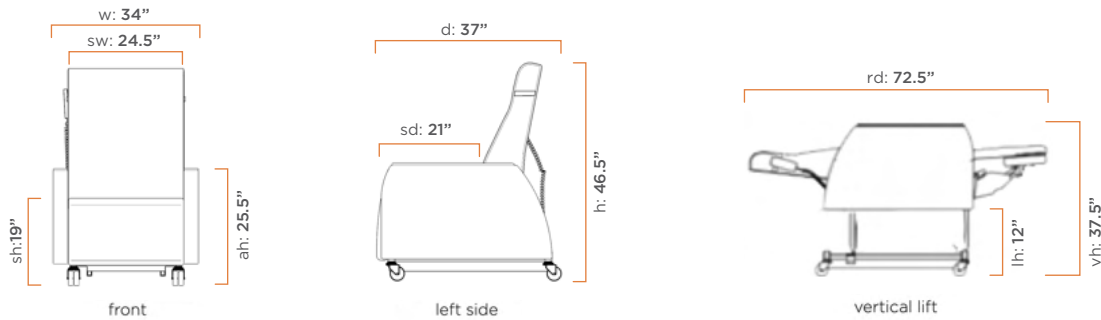
Model: 628-29M-T

Mechanism: Motorized recliner with vertical lift to exam height and reverse recline

Operation: Motorized mechanism that can be reclined to any position, including flat and a vertical lift feature with reverse recline.

Dimensions

W	D	H	SW	SD	SH	RD	VH	LH	AH	COM	WT Cap
34"	37"	46.5"	24"	21"	19"	72.5"	37.5"	12"	25.5"	8 yds	550 lbs



Design Features

- Vertical lift brings patient closer to caregiver improving the quality of care
- Effortless reclining at a touch of a button for patients of any physical condition
- 360-degree barrier-free access to patient
- Allows for patient examination during the infusion
- Reduces risk of back strain for caregivers
- 550 lb Weight Capacity

Performance & Environmental Sustainability

- 550 lb capacity
- HHI Compliant
- 12 Year Warranty
- Air Quality Certification BIFMA

Options

- 4628F** Flare back
- 4628PEA** Polyester arm caps / Specify color
- 4628SSA** Solid surface arm caps / Artic White
- 4628AHB** Adjustable head bolster / Straight back style
- 4000OBS** OB Stirrups

Accessories

- | | |
|---|---|
| 4000DBH Drainage bag hook-up / set of two | 4000IPC iPad Cradle |
| 4000RHH Restraint hook-up / set of two | 4000SPT2 BKH Swivel Profile Tablet / 14x19 Thermofoil Top |
| 4000XTH Oxygen tank holder | 4000SPT2X BKH swivel profile tablet / 15 x 21.5 thermofoil top |
| 4000XMB1 Seat moisture barrier | 4000FST Folding side tablet / 10x13 thermofoil top |
| 4000PBS Soft grip push bar | 4000FSTX Folding side tablet / 10x17 thermofoil top |
| 4000IVP IV Pole & holder | 4000SWT Swiveling side tablet / 10x13 thermofoil top |
| 4000IVH IV Pole holder only | 4000SWTX Swiveling side tablet / 10x17 thermofoil top |
| 4000CTB1 Cal 133 flammability | 4000FCW Foot control switch / 1 button |
| 4000PRD Paper roll dispenser / attached to back of chair | 4000FC3 Foot control switch / 3 button |
| 4000FRG Footrest guards / black plastic | 4000POP One 3-prong outlet / no USB |
| 4000FAR Folding Arm | 4000USB-P Two USB ports - round plug with power cord |
| 4000OBS OB Stirrups | 4000PCS61A One 3-prong outlet & 2 USB ports with power cord |
| 4000RFT Rolling foot tray | 4000HG-GD One 3-prong outlet & 1 USB ports with power cord |
| 4000ETV Ergotron TV arm / no wiring | FPT 300 lb Foorest (Fall Prevention Technology) |
| 4000HSL-NM Heated seat & lumbar | |
| 4000HC-MSG Heated seat & lumbar with massage | |

OPTIONAL STIRRUPS



ALL MOTORIZED MOTIONS



FOLDING ARM OPTION



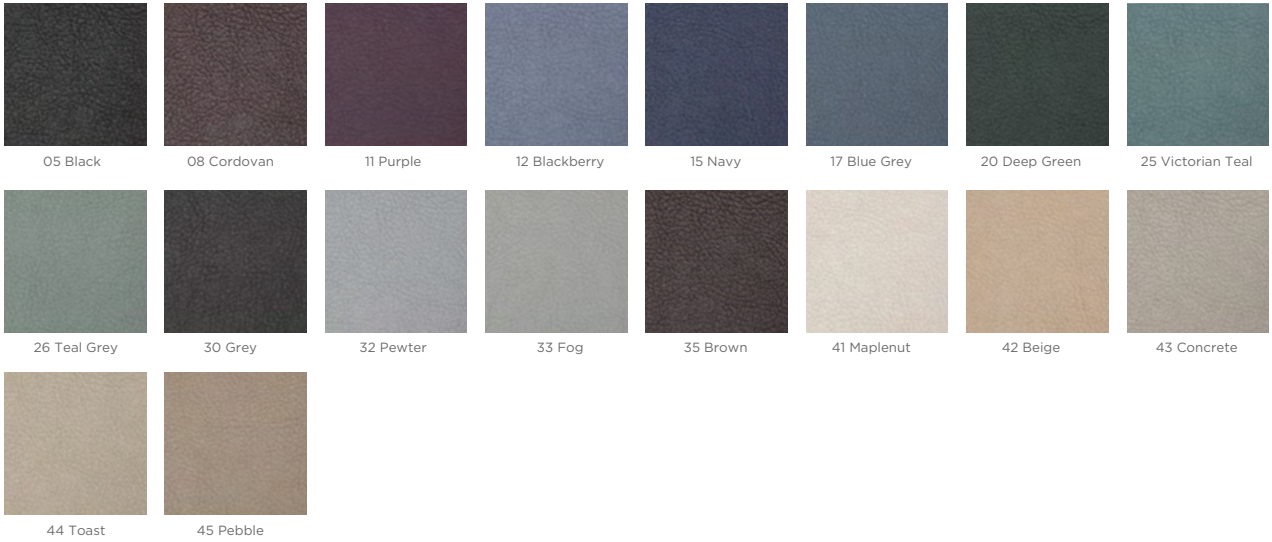
12" VERTICAL LIFT



Materials

Polyester

Armchairs / Footrest Lever



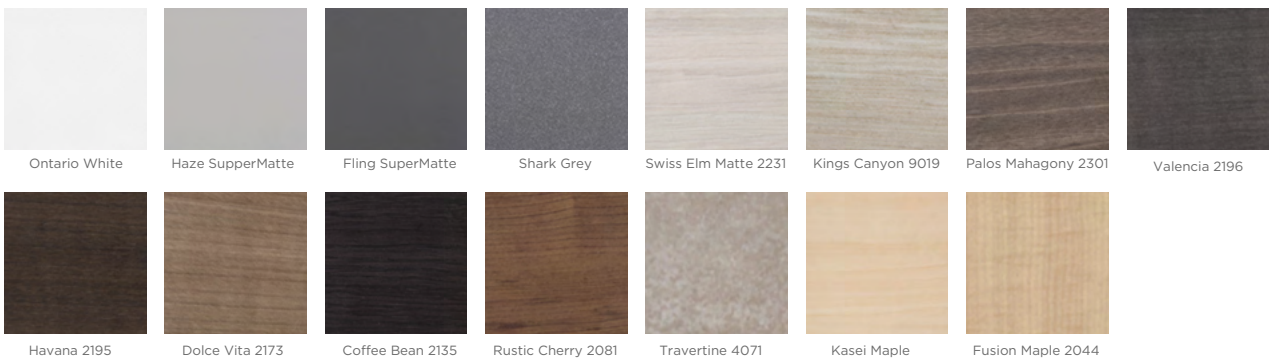
Laminate

Tablets



Thermofoil

Tables



LG Finishes

Tables

