

Cama Family Chaise Sleeper

110



Furniture that makes a difference.

Product Description

Cama Family Chaise Sleeper

110

Style: Cama

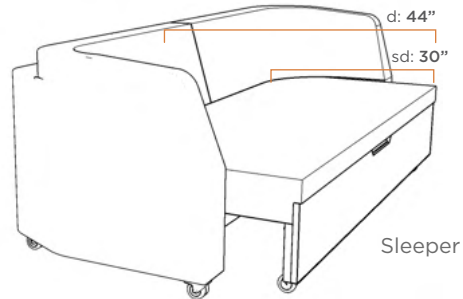
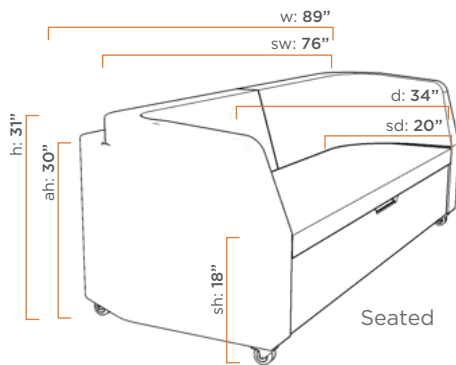
Model: 110

Mechanism: Front extension sleeper sofa

Operation: Pull handle to convert to sleeper

Dimensions

	W	D	H	SW	SD	SH	AH	COM	WT Cap
Seated	89"	34"	31"	76"	20"	18"	30"	7 yds	1000 lbs
Sleeper	89"	44"	31"	76"	30"	18"	30"	7 yds	1000 lbs



Design Features

- Clean & Sleek Lines
- Easy Conversion from Sofa to Sleeper
- Solid surface rear shelf
- Multiple Seating Positions
- Encourages the Healing Power of Touch
- Crumb Space clean out

Optional Table Addition

Cama Side Task Table

110T
Overall: 18w x 26d x 29h

Cama Side Task Table with Rear Wheels

110TW
Overall: 18w x 26d x 29h



Performance & Environmental Sustainability

- 1000 lb capacity
- HHI Compliant
- 12 Year Warranty
- Air Quality Certification BIFMA

Options

Leg / Caster Options

- STANDARD** 3" Swivel Locking Casters / Specify Color
- 4110CLS** 3" Swivel Locking Casters

Rear shelf

- STANDARD** Solid Surface rear shelf / Specify Color

Front Kick Panel Options

- STANDARD** Upholstered front kick panel
- Laminate Surface front kick panel / Specify Color
- Solid Surface Surface front kick panel / Specify Color

Accessories

- 4000POP** One 3-prong outlet / no USB
- 4000USB-P** Two USB ports - round plug with power cord
- 4000PCS61A** One 3-prong outlet & 2 USB ports with power cord
- 4000HG-GD** One 3-prong outlet & 1 USB ports with power cord

Materials

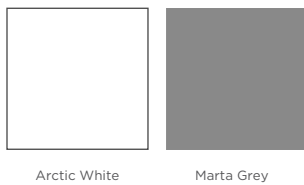
Laminate

Front Kick Panel



Solid Surface

Rear shelf



UPHOLSTERED FRONT PANEL

CURVED BACK

FOOT LOCK SWIVEL CASTERS

USB / POWER OUTLETS

