

Cama Sleeper Recliner

108-56



Product Description

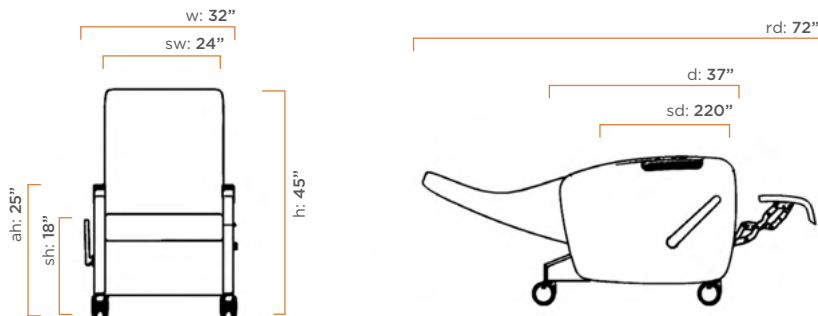
Infinite locking back sleeper recliner

108-56

Style: Cama**Model:** 108-56**Mechanism:** Infinite Locking Back**Operation:** Independent lever operated footrest and finger pull infinite locking back recline

Dimensions

W	D	H	SW	SD	SH	RD	AH	COM	WT Cap
32"	37"	45"	24"	20"	18"	72"	25"	7 yds	550 lbs



Design Features

- Independent back and footrest allows for infinite reclining positions including lay-flat
- Available with multiple caster options for mobility and patient transport
- Composite foam seat with dynamic suspension system for long term comfort
- Field replaceable components
- Polyester caps resistant to hospital cleaners
- Crumb space clean out

Performance & Environmental Sustainability

- 550 lb capacity
- HHI Compliant
- 12 Year Warranty
- Air Quality Certification BIFMA

Options

Arm Cap Options

- STANDARD** Upholstered arm caps
- 4000-108P** Polyester arm caps / Specify color
- 4108SSA** Solid surface arm caps / Specify color

Caster Options

- STANDARD** 4" Swivel Locking Casters
- 4056CBL-3** 4" Cable Locking System

Lever Options

- STANDARD** Polyester lever / Specify color
- 4000PFL** Polyester lever / Custom color

Accessories

- | | |
|---|---|
| 4000DBH Drainage bag hook-up / set of two | 4000CFR5 Continuous footrest |
| 4000XTH Oxygen tank holder | 4000IPC iPad Cradle |
| 4000XMB1 Seat moisture barrier | 4000SPT2 BKH Swivel Profile Tablet / 14x19 Thermofoil Top |
| 4000PBS Soft grip push bar | 4000SPT2X BKH swivel profile tablet / 15 x 21.5 thermofoil top |
| 4000IVP IV Pole & holder | 4000FST Folding side tablet / 10x13 thermofoil top |
| 4000IVH IV Pole holder only | 4000FSTX Folding side tablet / 10x17 thermofoil top |
| 4000FRG Footrest guards / black plastic | 4000SWT Swiveling side tablet / 10x13 thermofoil top |
| 4000FAR Folding Arm | 4000SWTX Swiveling side tablet / 10x17 thermofoil top |
| 4000RFT Rolling foot tray | 4000POP One 3-prong outlet / no USB |
| 4000ETV Ergotron TV arm / no wiring | 4000USB-P Single round outlet & 2 USB ports with power cord |
| 4000HSL-NM Heated seat & lumbar | 4000PCS61A One 3-prong outlet & 2 USB ports with power cord |
| 4000HC-MSG Heated seat & lumbar with massage | 4000HG-GD One 3-prong outlet & 1 USB ports with power cord |

EASY ACCESS FINGER PULL



CASTER OPTIONS



COMFORT GRIP HANDLE



ARM CAP OPTIONS



Materials

Polyester

Arm caps / Footrest Lever



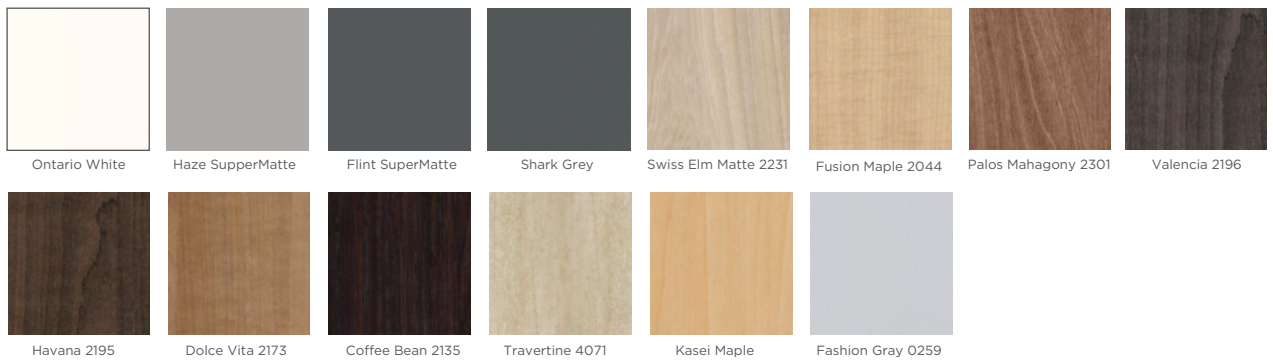
Laminate

Tablets



Thermofoil

Table Tops



LG Finishes

Arm caps / Tables

