

Three Position Sleeper Recliner

628-11



Product Description

Straight back three position sleeper

628S-11

Style: Suspend

Model: 628s-11

Mechanism: Three position push on the arm sleeper

Operation: Push on the arm to release footrest and easily adjust to sleeping position

Flare back three position sleeper

628F-11

Style: Suspend

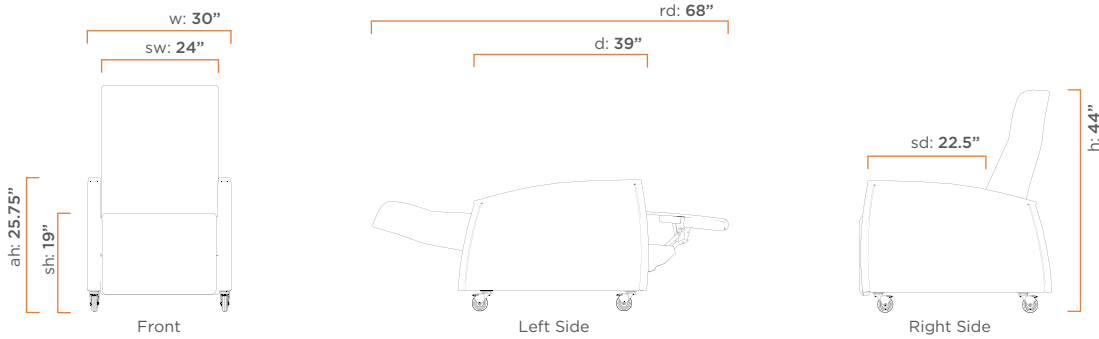
Model: 628f-11

Mechanism: Three position push on the arm sleeper

Operation: Push on the arm to release footrest and easily adjust to sleeping position

Dimensions

W	D	H	SW	SD	SH	RD	AH	COM	WT Cap
30"	39"	44"	24"	22.5"	19"	68"	25.75"	7 yds	350 lbs



Design Features

- Continuous upholstery on foot rest
- Effortless push on the arm to recline
- Optional metal mechanism shield for safety
- Wood or polyester arm caps resistant to hospital cleaners
- Composite foam seat with dynamic suspension system for long term comfort
- Optional central locking system

Performance & Environmental Sustainability

- 350 lb capacity
- HHI Compliant
- 12 Year Warranty
- Air Quality Certification BIFMA

Options

Arm Cap Options

- STANDARD** Upholstered arm caps / Specify color
- STANDARD** Wood finish arm caps / Specify color
- 4628PEA** Polyester arm caps / Specify color
- 4628SSA** Solid surface arm caps / Arctic White

Caster Options

- STANDARD** 3" Swivel Locking Caster
- 4611cls-3** 3" central locking system

Back Style Options

- STANDARD** Straight back
- 4628AHB** Adjustable head bolster / Straight back style
- 4628F** Flare back

Accessories

- | | |
|---|---|
| 4000IPC iPad Cradle | 4000DBH Drainage bag hook-up / set of two |
| 4000SPT2 BKH Swivel Profile Tablet / 14x19 Thermofoil Top | 4000XTH Oxygen tank holder |
| 4000SPT2X BKH swivel profile tablet / 15 x 21.5 thermofoil top | 4000XMB1 Seat moisture barrier |
| 4000FST Folding side tablet / 10x13 thermofoil top | 4000PBS Soft grip push bar |
| 4000FSTX Folding side tablet / 10x17 thermofoil top | 4000IVP IV Pole & holder |
| 4000FST-SS Folding side tablet / 10x13 LG solid surface | 4000IVH IV Pole holder only |
| 4000SWT Swiveling side tablet / 10x13 thermofoil top | 4000PRD Paper roll dispenser / attached to back of chair |
| 4000SWTX Swiveling side tablet / 10x17 thermofoil top | 4000FRG Footrest guards |
| 4000POP One 3-prong outlet / no USB | 4000FAR Folding Arm |
| 4000USB-P Single round outlet with 2 USB ports with power cord | 4000RFT Rolling foot tray |
| 4000SPK Speaker Headrest | 4000ETV Ergotron TV arm / no wiring |
| 4000HSL-NM Heated seat & lumbar | 4000CFR5 Continuous footrest |
| 4000HC-MSG Heated seat & lumbar with massage | |

Push on the arm



Caster Options



Gapless Footrest Option



Folding Arm



Materials

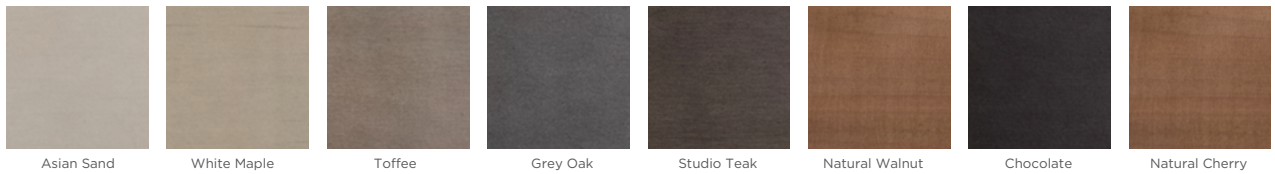
Polyester

Arm caps / Footrest Lever



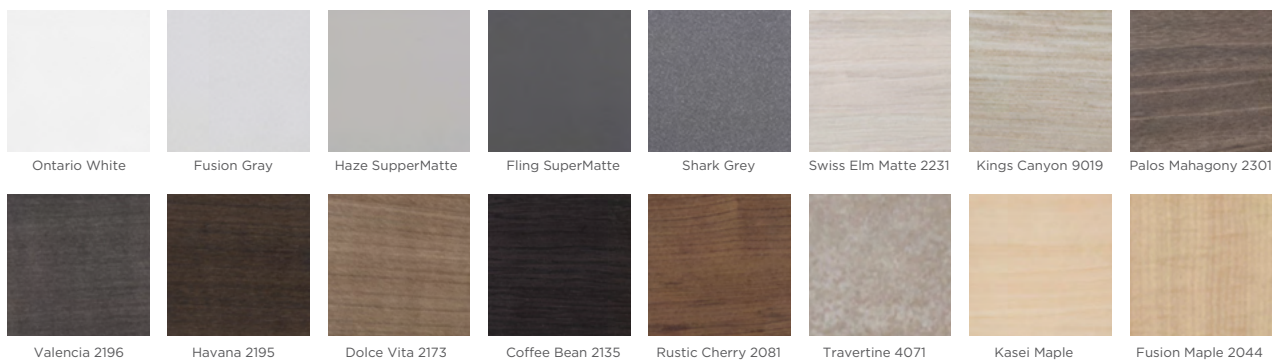
Solid Wood

Arm caps



Thermofoil

Tables



LG Finishes

Arm caps / Tables

