



WOMEN'S CARE
Medical Center

Comments, compliments, concerns?
Please e-mail the Director at Ext. 8228.

Entry Date: _____
Exam Number: _____
Phone Number: _____
Referral From: _____

Name: _____
Room: _____
Room Number: _____
Referral From: _____

Family Questions for your Doctor: _____
Family Questions for your Pediatrician: _____

Form ID: _____

Our goal is to ensure you control and comfort your care!
You will gain maximum control and comfort in:

- 100% NO DRUG
- 100% NO PAIN
- 100% NO NARCOTICS
- 100% NO ANESTHESIA
- 100% NO SLEEP
- 100% NO HAZARD

Notes: _____



Suspend series



Suspend series

Because no two facilities or departments needs are the same we offer a selection of functionality for our Suspend Series.

Suspend series

Then choose your reclining mechanism

Choose from two styles of backs straight (left) or flared (right).



628S



628F

- Three position recliner
- Three position sleeper
- Three position with reverse recline
- Behavioral health three position sleeper
- Three position wall saver recliner
- Motorized recliner with patient lift assist
- Motorized bariatric recliner with patient lift assist
- Rocker recliner
- Glider Recliner
- Locking back recliner
- Sleeper recliner with locking back
- Sleeper recliner with locking back and hydraulic vertical lift
- Glider sleeper recliner with locking back
- Motorized recliner with vertical lift
- Helios motorized patient recliner

Suspend series

A variety of options and accessories can further enhance the capabilities of your recliner.

- A) Arm caps available in solid surface, wood, polyester, or upholstered
- B) Polyester lever (if applicable) available in 18 colors and can match polyester arm caps
- C) Choose from plastic or metal casters
- D) Optional continuous footrest allows for easy cleaning and additional leg support
- E) Optional central locking system locks/unlocks the recliner in place with the press of a pedal
- F) A variety of useful accessories are available such as tablets, push bar, IV pole holder





Locking back recliner

Multiple position back
Lever operated footrest
500 lbs weight capacity
628S-15 / 628F-15
Overall: 32w x 37/67d x 45h
Seat: 24"w x 18"h





Sleeper recliner with locking back

Multiple position back
Lay flat sleeping position
Lever operated footrest
500 lbs weight capacity

628S-51 / 628F-51
Overall: 32w x 38/72d x 45h
Seat: 23"w x 18"h





Sleeper recliner with reverse recline

Multiple position back
Lay flat sleeping position
Lever operated footrest
Foot pedal released reverse recline
500 lbs weight capacity

628S-52 / 628F-52
Overall: 33w x 38.5/73d x
45h Seat: 24"sw x 20"sh



CONNECT II Recliner with hydraulic vertical lift



Hydraulic vertical lift to exam height
Multiple position back
Lay flat sleeping position
Lever operated footrest
Foot pedal released reverse recline
500 lbs weight capacity
628S-51HL / 628F-51HL
628S-52HL / 628F-52HL
Overall: 34w x 38/74d x 47h
Seat: 24"w x 18"h
Vertical lift: 32h exam height





Glider Sleeper recliner with locking back

- Gliding motion (lockable)
- Multiple position back
- Lever operated footrest
- Lay flat sleeping position
- 500 lbs. capacity

628S-53 / 628F-53
Overall: 32w x 37/72d x 46h
Seat: 24"w x 18"h



Motorized recliner with vertical lift

Independent foot rest and back
Hand or foot controller operation
Motorized vertical lift to exam height
(also available with foot controls)

628S-28m / 628F-28m
Overall: 34w x 41/84d x 49h
Seat: 27"w x 18"h

628S-28mn / 628F-28mn
Overall: 32w x 41/84d x 49h
Seat: 25"w x 18"h

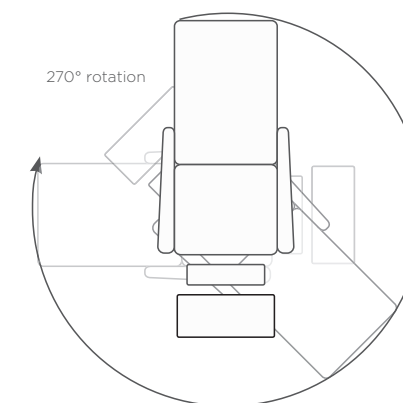




Helios motorized patient recliner

Independent foot rest and back operated by hand controller
Finger pull released swivel allows the recliner to rotate and lock in place

628S-51M-SWB / 628F-51M-SWB
Overall: 30w x 38/76d x 46h
Seat: 24"w x 18"h





Three position recliner

No lever or buttons
Push back to recline

628S-10 / 628F-10
Overall: 27w x 44h x 35/64d
Seat: 21"w x 18"h





Three position sleeper

No lever or buttons
Push back to recline
Fully reclines to a comfortable
sleeping position

628S-11 / 628F-11
Overall: 27w x 38/67d x 44h
Seat: 24"w x 18"h



Three position sleeper for behavior health



Non removable panels
Extra weight added to the arms
Compression dowels on arm caps
Flap sewn on a metal stretcher limits
access to recliner internals from the back
Vertical steel plate mounted under the seat
prevents access to the recliner internals
Steel plate scissor guards on the inside
and outside of footrest mechanism
Plastic guard covering the bottom
of the footrest (no exposed staples)

628S-11PR / 628F-11PR
Overall: 30w x 36/69d x 44h
Seat: 24"w x 18"h





3 position recliner with reverse recliner

Push on the arm to recline
Foot pedal operated reverse recline

628S-45 / 628F-45
Overall: 32w x 35/67d x 42h
Seat: 22"w x 18"h



Three position wallsaver

Chair shifts forward as you recline
Lever extends footrest
Push back to recline

628S-20 / 628F-20
Overall: 32w x 36/62d x 41h
Seat: 24"w x 18"h



Motorized recliner with patient lift assist

Independent footrest and back are controlled with a handset
Motorized lift assists patients to their feet

628S-25M / 628F-25M
Overall: 31w x 42/69d x 46h
Seat: 24"w x 18"h





Rocker recliner

Rocks when upright
Lever extends footrest
Push back to recline

628S-30 / 628F-30
Overall: 32w x 40/66d x 41h
Seat: 24"w x 18"h





Glider recliner

Glides when upright
Lever extends footrest
Push back to recline

628S-35 / 628F-35
Overall: 32w x 40/66d x 41h
Seat: 24"w x 18"h



Motorized bariatric recliner with patient lift assist

Independent footrest and back
controlled with a handset
Stationary base lifts casters for stability
when assisting patients to their feet
750 lbs weight capacity

628S-09M-750 / 628F-09M-750
Overall: 31w x 37/76d x 46h
Seat: 26w x 20h



Accessories



4000CFR Continuous footrest
The continuous footrest extends from the seat to the end of the footrest covering the gaps between. This provides additional leg support, comfort, and increases cleanability for infection control.



4000ETV Ergotron Arm *TV/DVD not provided
The Ergotron arm supports TV/DVD players and may be adjusted into a multitude of positions. The arm supports rotating, raising, lowering, and tilting of the screen.



4000CLS Central lock with 3" or 5" Casters
Lock all the casters with the touch of a pedal instead of locking each individual caster. Optional directional lock allows a recliner with 4 swiveling casters to lock one in a fixed position for steering.



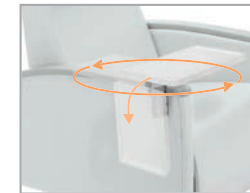
4000FAR Folding Arm
An arm panel that can be folded to access the patient from the side of the chair. This is particularly useful for transferring patients to and from the bed. It is available for left, right and, in some models, both arms.



4000PBR Soft grip Push Bar
A tubular push bar with a softgrip cover for pushing the recliner.



4000SWT Swivel Side Tablet 10"x13"
4000SWTX Swivel Side Tablet 11"x17"
A molded plastic tablet with raised edges on a swiveling arm. The tablet may be rotated 360 degrees to reach a multitude of positions or removed when not in use.



4000PFT Profile Tablet 14"x19"
4000PFTX Profile Tablet 15"x21.5"
The profile tablet provides the patient with a generous and sturdy multi-purpose surface. When not needed, it easily stores against the side of the chair.



4000FST Folding Side Tablet 10"x13"
4000FSTX Folding Side Tablet 11"x17"
A molded plastic tablet with raised edges that folds flush on the side of the arm panel.



4000PFT Profile Tablet 14"x19"
4000PFTX Profile Tablet 15"x21.5"
The profile tablet provides the patient with a generous and sturdy multi-purpose surface. When not needed, it easily stores against the side of the chair.



4000RFT Rolling foot tray
A platform tucked under the seat that can be pulled out to provide a foot rest that moves with the recliner.



Suspend series

The Suspend Series meets and/or exceeds performance testing requirements of the applicable sections of ANSI/BIFMA 7.1.

IOA is proud to be a participant in the Healthier Hospitals Initiative. The Healthier Hospitals Initiative encourages manufacturers to provide information on furniture that meets the Healthy Interiors goals of the Safer Chemicals Challenge.

IOA Healthcare Furniture
829 Blair Street
Thomasville, NC 27360

phone: 336-475-7106
web: www.ioa-hcf.com